



INLINER BOARD



ISOVER INLINER A

FOR NON-FIRE RATED
PITCHED ROOFS

AND

ISOVER INLINER F



FOR FIRE RATED
PITCHED ROOFS

FIRE RATED SYSTEM
HIGH THERMAL PERFORMANCE
BREATHABLE SYSTEM
ACOUSTIC PERFORMANCE



www.isover.ie/inliner



INTRODUCING ISOVER INLINER A

FOR NON-FIRE RATED
PITCHED ROOFS

Product	Thickness (mm)	Width (mm)	Length (mm)	Thermal Resistance	Board Area (m ²)	Boards per Pallet
InLiner A	62.5	1200	2400	1.61 m ² K/W	2.88	15

Product	Diameter	Length	Description
InLiner Spacing Screw	3.9mm	55mm	Fine Thread Dry Lining Screw
Dry Lining Screw	4.9mm	90mm	Coarse Thread Dry Lining Screw

INLINER A – THERMAL PERFORMANCE

These thermal values are indicative based on a 44mm rafter width, where the rafters have been fully filled. For specific calculations or calculations not based on fully filling the rafters please contact our Technical Team on NI 0845 3990159 or ROI 1800 744480.

Board Type	Thickness	Airtightness Layer	Rafter Depth	Insulation in Rafters/Joists	Insulation below Rafters	U-Value	
						600mm c/c	400mm c/c
InLiner A	62.5mm	KM Duplex & Tapes	175mm	Metac 031 180mm	InLiner Laminate	0.15	0.16
InLiner A	62.5mm	KM Duplex & Tapes	200mm	Metac 034 200mm	InLiner Laminate	0.15	0.16
InLiner A	62.5mm	KM Duplex & Tapes	225mm	Metac 034 220mm	InLiner Laminate	0.13	0.14

- 1 Tiled/slatted roof, tiling battens or counterbattens
- 2 Breather membrane
- 3 ISOVER Insulation installed between rafters
- 4 ISOVER Vario membranes and tapes
- 5 ISOVER InLiner A laminated insulation board beneath rafters



For more details on certification, please contact our Technical Team on NI 0845 3990159 or ROI 1800 744480.



AND ISOVER INLINER F



FOR FIRE RATED
PITCHED ROOFS

Product	Thickness (mm)	Width (mm)	Length (mm)	Thermal Resistance	Board Area (m ²)	Boards per Pallet
InLiner F	62.5	1200	2400	1.61 m ² K/W	2.88	15

Product	Diameter	Length	Description
InLiner Spacing Screw	3.9mm	55mm	Fine Thread Dry Lining Screw
Dry Lining Screw	4.9mm	90mm	Coarse Thread Dry Lining Screw

INLINER F – THERMAL PERFORMANCE

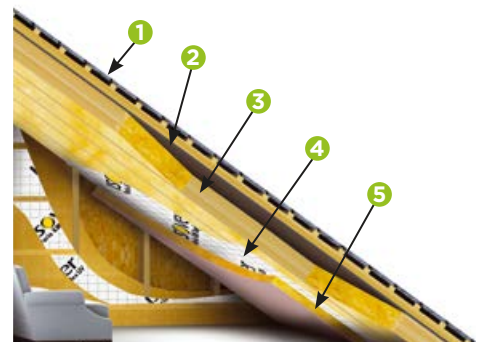
These thermal values are indicative based on a 44mm rafter width, where the rafters have been fully filled. For specific calculations or calculations not based on fully filling the rafters please contact our Technical Team on NI 0845 3990159 or ROI 1800 744480. InLiner F has been tested with 36mm rafters at 400 and 600 centres in accordance with EN 1365: Part 2 for Resistance to Fire for 30 minutes in a pitched roof application.

Board Type	Thickness	Airtightness Layer	Rafter Depth	Insulation in Rafters/Joists	Insulation below Rafters	U-Value	
						600mm c/c	400mm c/c
InLiner F	62.5mm	KM Duplex & Tapes	175mm	Metac 031 180mm	InLiner Laminate	0.15	0.16
InLiner F	62.5mm	KM Duplex & Tapes	200mm	Metac 034 200mm	InLiner Laminate	0.15	0.16
InLiner F	62.5mm	KM Duplex & Tapes	225mm	Metac 034 220mm	InLiner Laminate	0.13	0.14

Taping and jointing required with a paper joint tape as part of this build up.

InLiner F is suitable as a 1 board layer solution for pitched roofs in the field of structure where 30 mins fire resistance is a requirement, including 2 or 3 storey residential dwellings with loaded trussed roofs, per TGD B 2017 and May 2020 Timber Frame Circular from the Department of Building Standards.

- 1 Tiled/slatted roof, tiling battens or counterbattens
- 2 Breather membrane
- 3 ISOVER Insulation installed between rafters
- 4 ISOVER Vario membranes and tapes
- 5 ISOVER InLiner F laminated insulation board beneath rafters



For more details on certification, please contact our Technical Team on NI 0845 3990159 or ROI 1800 744480.

ISOVER INLINER A & INLINER F INSTALLATION OVERVIEW

1. INSTALLATION PREPARATION

CHECKLIST:

- 1 Measure area and cut InLiner board as required to align with studs/rafters, ensuring straight and even cuts.
- 2 At angular junctions e.g. pitched to knee wall, cut meeting edges to appropriate angles, dividing angles equally to ensure continuity of insulation.
- 3 On the insulation side of the InLiner measure and mark out the position of the InLiner spacers to correspond with the timber framing.
- 4 Insert spacing screws in the insulation of the board at 200mm centres, in line with your rafter markings.

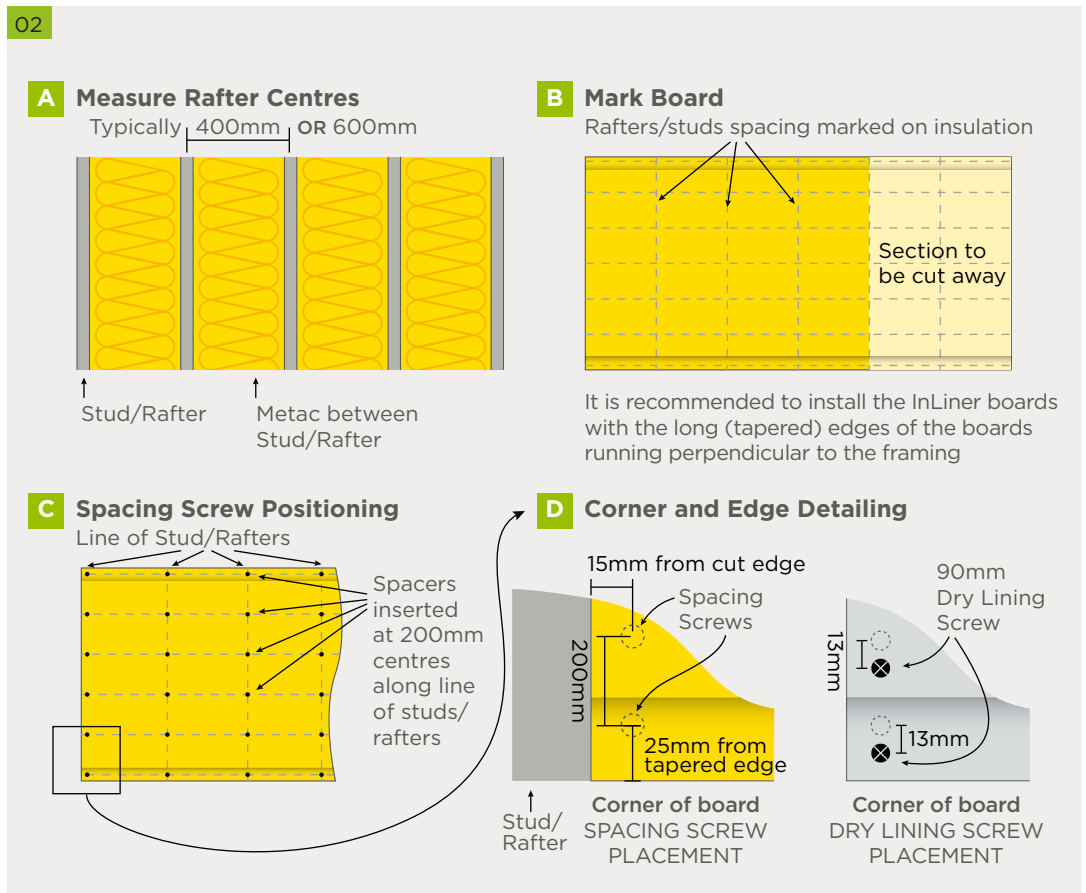


If any InLiner Boards need to be cut to fit a particular spacing, ensure the cut is straight so that there are no gaps between joining boards. InLiner can be cut with a hand saw or skill saw.



Ensure that adjoining horizontal boards are flush with each other before beginning to fix the boards to the studs. Use a continuous line of screws across both top and bottom boards as shown above.

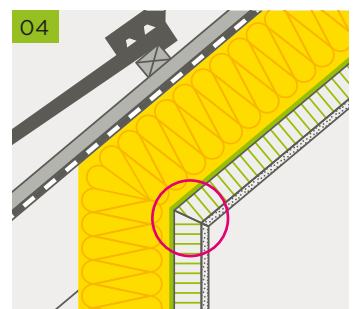
At board corners InLiner spacers should be positioned 15mm from the edge running with the timber and 25mm from the edge perpendicular to the direction of the timbers (see Diagram D).



It is recommended the insulation side of the board is marked with a grid that aligns with the timber studs the board is being installed on, to ensure proper placement of both the 55mm InLiner spacer screws and 90mm dry lining screws.

Insert InLiner Spacer Screws in the insulation side of the InLiner Board at 200mm centres along the same lines of the studs/rafters the board is to be installed on (see Diagram C)

Spacers should be positioned 15mm from the edges of the board, and 25mm along the top and bottom of the board. Screws should be fixed within a further 13mm of the position of the InLiner spacer screw. Face fix the boards to the timber framing with minimum 90mm Dry Lining screws installed at 200mm centres to correspond (within 13mm) with the position of the InLiner Spacers. Position the Dry Lining screws at corners inside the position of the spacers (see Diagram D).



Maintain consistency of insulation thickness at angular junctions. E.g. where pitched roof abuts knee wall. Chamfer the edges of the meeting InLiner boards equally.

For more details on certification, please contact our Technical Team on NI 0845 3990159 or ROI 1800 744480.

2. INSTALL ON KNEE WALL



01 Cut & friction fit ISOVER Metac O31/O34 Insulation between studs/rafters.



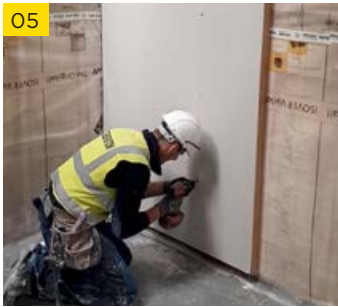
02 Ensure that suitable timber grounds are located to support InLiner boarding perimeters.



03 Apply Vario KM Duplex or Vario Xtra across/along the studs using a staple to secure the membrane in place.



04 Seal any seams between the Vario Membrane with Vario KBI Tape. Any tears in the membrane envelope should also be sealed with Vario KBI Tape, to ensure an airtight envelope is maintained.



05 Secure InLiner Board to the studs using **at 200 centres** to match the spacing of the InLiner Spacing Screws on the reverse side of the board. Metal washers should NOT be used to install InLiner.



06 Install the first board at the corner of the knee wall, ensuring a snug fit. Ensure the edge of the board has adequate support from the vertical framing timbers, splitting each joint stud between the respective InLiner Boards.



07 Ensure that the dry lining screws on the joints are inserted into the stud as straight on as possible to enable a flush finish and are screwed into place within 13mm of the InLiner Spacer Screws.



08 Continue installation ensuring board edges are lightly abutted.



09 Boards can be installed horizontally or vertically. If installing horizontally, ensure that the top of the board is lined up with the perimeter stud at the top of the knee wall.




10 Ensure that adjoining boards are flush with each other before beginning to fix the boards to the studs. Use a continuous line of screws across both top and bottom boards.

The chamfered insulation edge of the knee wall board needs to touch the based of the rafters.

**BECOME
AN EXPERT
FOR FREE**

VISIT isover.ie



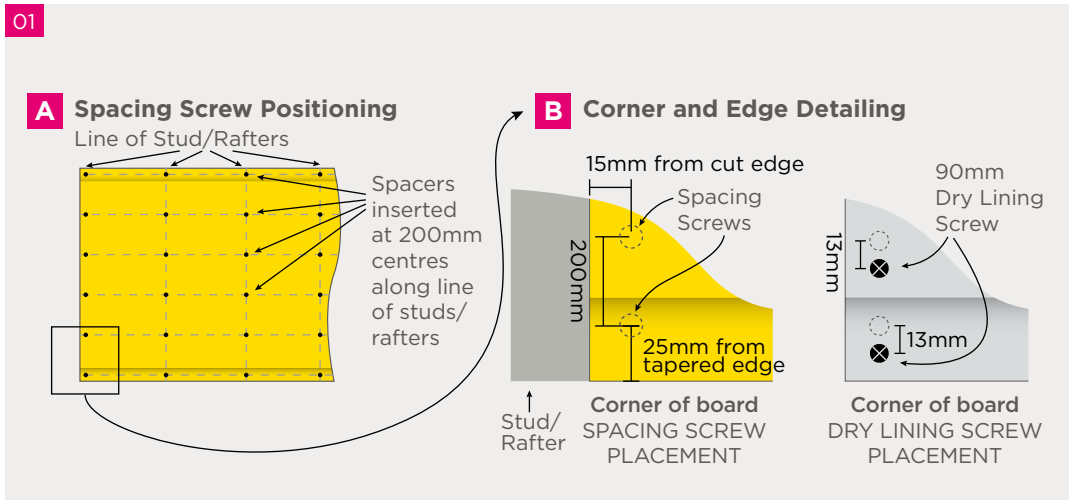
TECHNICAL ACADEMY

Want to learn more?
 Apply for a **FREE** place on our **Technical Academy Training Coarse** and become an expert!
 For more info visit www.isover.ie

ISOVER INLINER A & INLINER F INSTALLATION OVERVIEW

3. INSTALL ON PITCHED ROOF

01



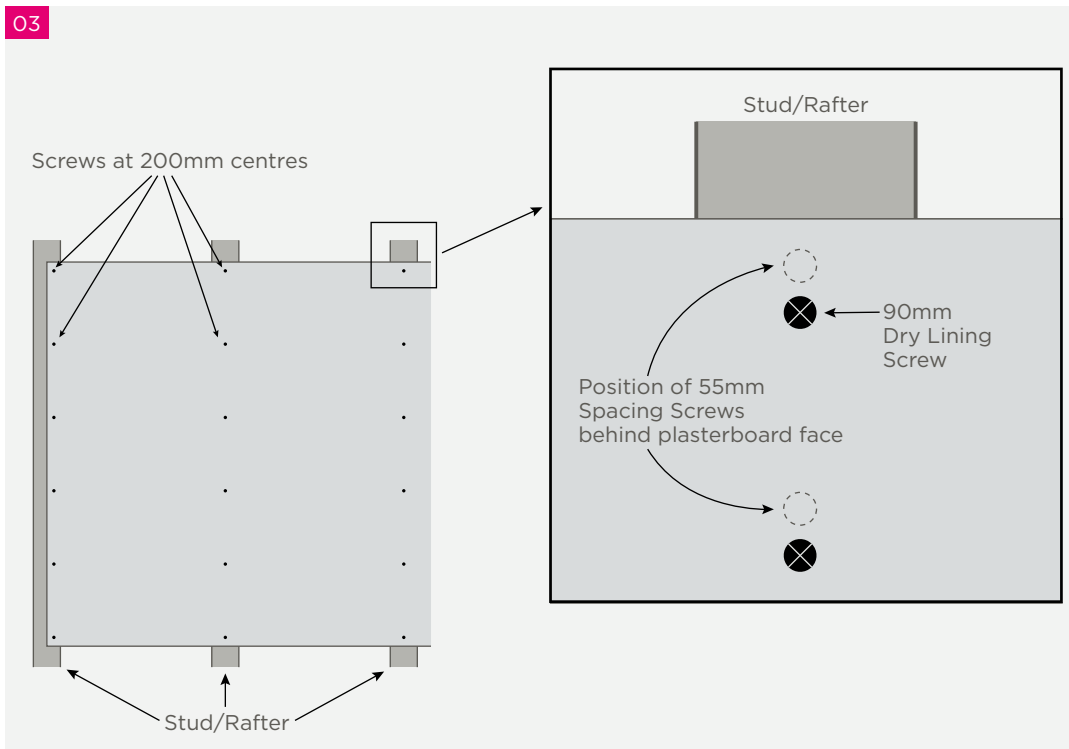
Insert InLiner Spacer Screws in the insulation side of the InLiner Board at 200mm centres along the same lines of the studs/rafters the board is to be installed on (see Diagram A). Metal washers should NOT be used to install InLiner.

02



Ensure that adjoining boards are flush with each other before beginning to fix the boards to the studs. If any InLiner Boards need to be cut to fit a particular spacing, ensure the cut is straight so that there are no gaps between joining boards.

03



As with knee wall installation, ensure each board has InLiner Spacing Screws positioned to align with the rafters the board is being installed on, and that the board is fixed with a 90mm dry lining screw, positioning into the face of InLiners plasterboard lining within 13mm of the position of the 55mm InLiner Spacing Screw that was installed in the insulation side of the board. Metal washers should not be used in installing InLiner Board.

04



Ensure a continuous line of 90mm dry lining screws and 55mm InLiner Spacing Screws, at 200mm centres are applied throughout the installation, including on the pitch and any ceiling.

05



Even spacing of screws and use of InLiner Spacing Screws will result in an even finish along studs/rafters.

For more details on certification, please contact our Technical Team on NI 0845 3990159 or ROI 1800 744480.

4. FINISHING



Once the pitched section of the roof has been installed, where required cut and fit a section of InLiner Board to fit the angle of the pitched roof on the gable end.



Ensure plasterboard joints at adjoining boards have been accurately fitted together before beginning to fix the boards.



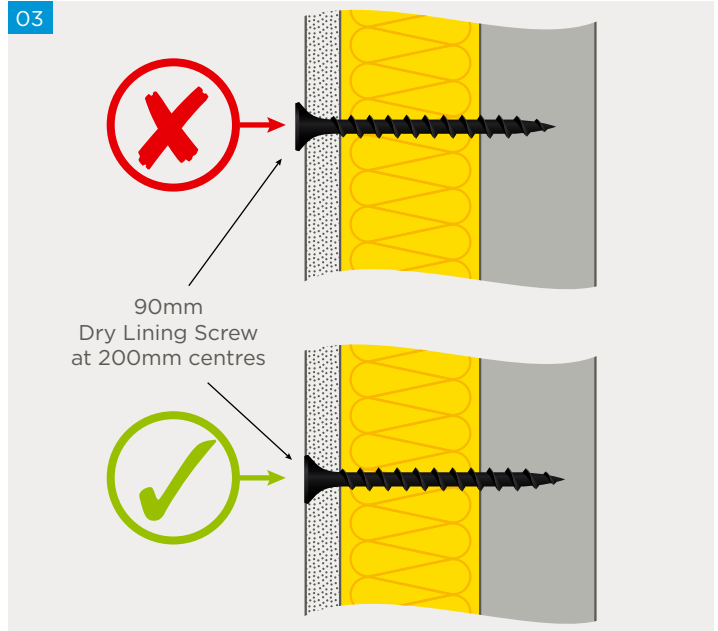
Once boarding has been completed, proceed to tape and fill the joints between boards, with a paper tape and suitable jointing material.

Follow the installation guidance of the filler manufacturer to ensure best results.



Once the InLiner boards have been taped and jointed and screw heads spot filled, plastering can commence.

We recommend plastering the pitched roof section first, allowing it to dry and then commencing knee wall plastering.



Before plastering check that the screws are fully tightened so that the screw head does not obstruct a trowel being passed over the face of the board.



Want to learn more?
Apply for a **FREE** place on our **Technical Academy Training Course** and become an expert!
For more info visit www.isover.ie

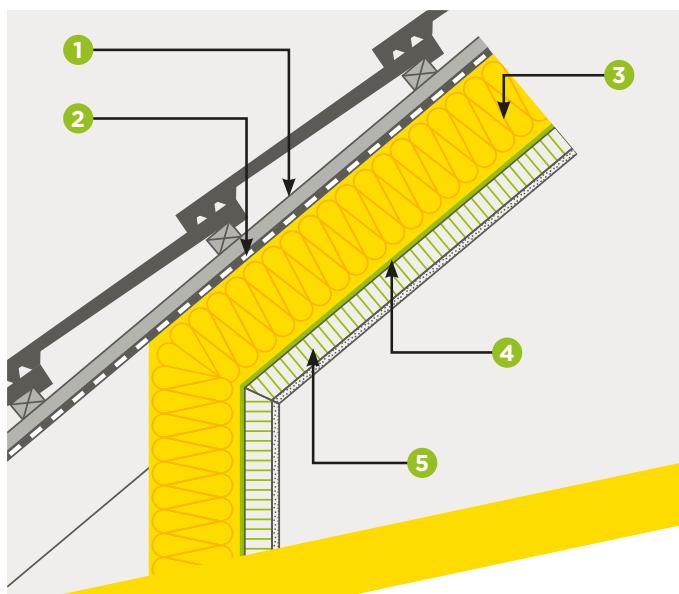
INSTALLATION DETAIL - BEST PRACTICE

- 1 Counterbattens typically recommended for roof drainage.
- 2 Low Resistance roofing underlay (<0.25 MN s/g) under vapour permeable finish (i.e. natural slates or concrete tiles) per BS 5250.
- 3 ISOVER METAC between joists.
- 4 VARIO MEMBRANE applied to studs/rafters.
- 5 ISOVER INLINER A or INLINER F 62.5mm mechanically fixed on framing at 400 or 600 centres, using 55mm InLiner Spacing Screws in the insulation in addition to fixing the face of the board at 200mm centres with a 90mm dry lining screw.

NOTES:

Access hatch to unheated eaves void must be sealed, vapour tight and insulated to match knee wall. Alternatively continue insulation and VARIO down pitch roof as best practice for more safe and thermally efficient installation per BS 5250 and BS 9250. Carefully install VCL at head of knee wall to maintain continuity.

InLiner F has been tested with 36mm rafters at 400 and 600 centres in accordance with EN 1365: Part 2 for Resistance to Fire for 30 minutes in a pitched roof application.



SYSTEM INSTALLATION DETAIL CHECKLIST:

- Ensure continuity of insulation throughout junction.
- Ensure continuity of ISOVER VARIO Airtightness and Vapour Control Layer (AVCL) to achieve a 'well-sealed' ceiling per BS 5250.
- ISOVER VARIO. Perimeter and all joints in AVCL to be taped and sealed.
- Seal all penetrations through AVCL using ISOVER VARIO KB1/Multi-tape or Double-fit mastic.
- Ensure that laminate board tightly abuts the underside of the ceiling.
- Ensure thermal resistance of laminate is less than half of that provided between the rafters, i.e. no more than 1/2rd of the resistance of the total insulation.
- Chamfer the pitch to knee wall junction so that the angle of the pitch is evenly split by both boards.

Got a question?
Call our Technical Team
NI 0845 3990159
ROI 1800 744480

Contact us for a toolbox talk
or installation demonstration
visit www.isover.ie/pro


SAINT-GOBAIN

ISOVER Ireland

Unit 4, Kilcarbery Business Park,
Nangor Road, Dublin 22
Tel: +353 (0)1 6298400
Email: info@isover.ie
www.isover.ie